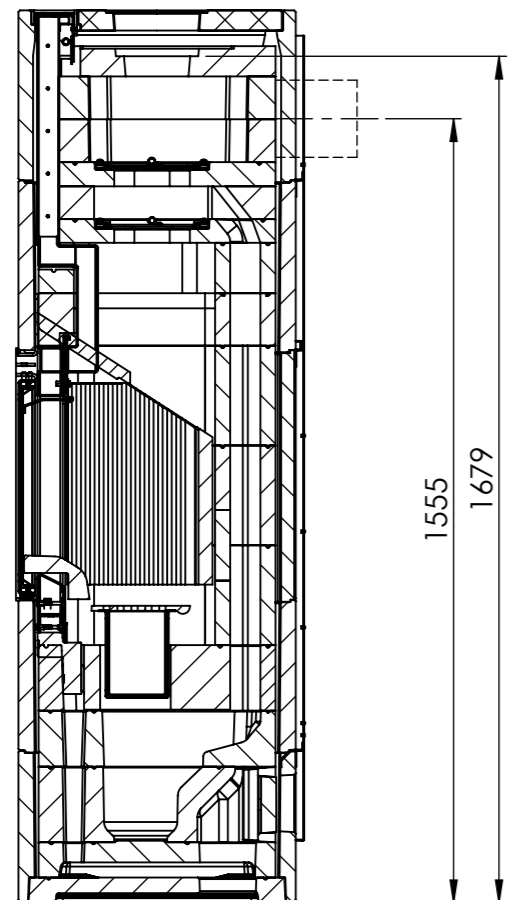
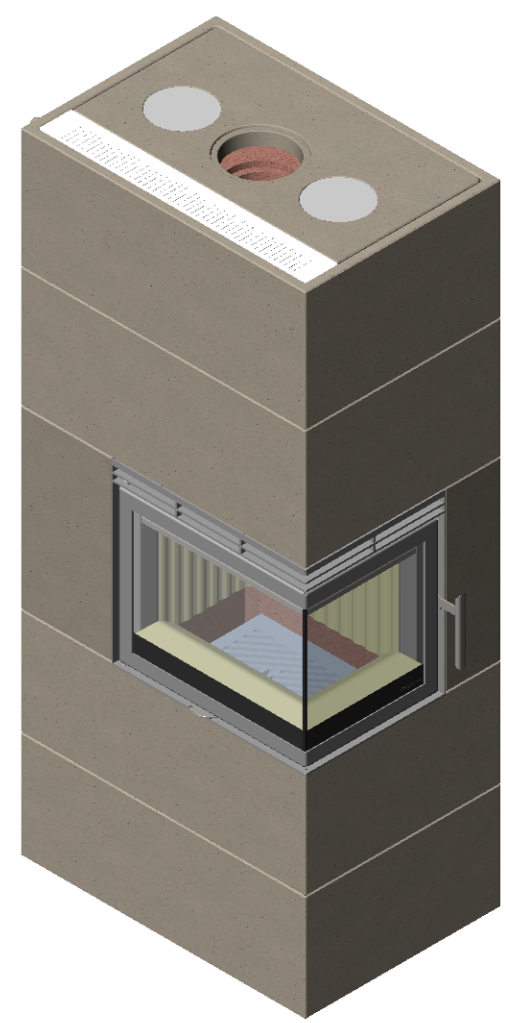
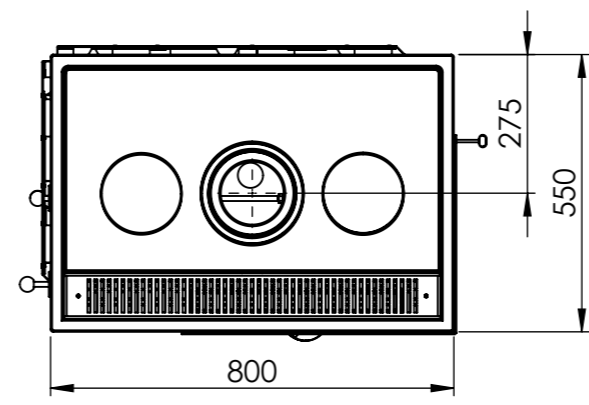
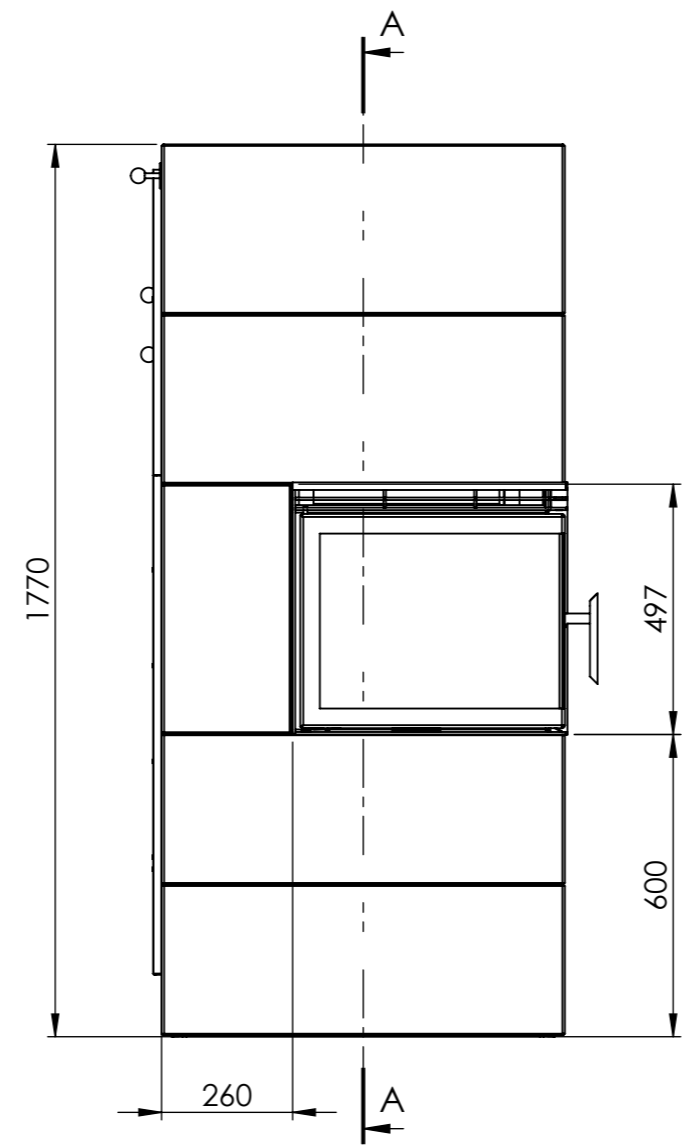
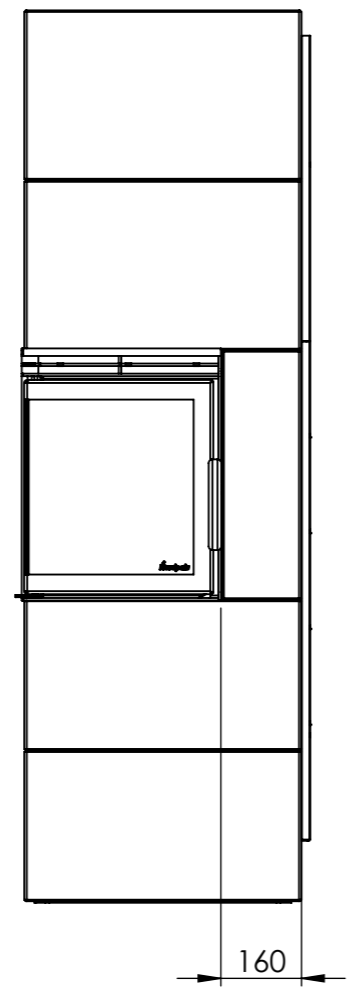


This document is Nordpeis (Nordpeis Sp. z o.o.) exclusive intellectual property. It must be treated as strictly confidential and must not be copied or communicated to any third person without Nordpeis (Nordpeis Sp. z o.o.) written permission.



SECTION A-A



  
**Nordpeis AS**  
 Gjellebekkstubben 11  
 N-3420 LIERSKOGEN, Norway

Revision note:	Revision by:	Date:	Material:	Format:
Name:	Created by:	21.03.2014	Weight (kg.):	A3
	Checked by:		Replace:	Scale: 1:15
	Approved by:		Part number:	Sheet: 1 of 1
				Revision:

Salzburg C